

Lever-Action Rifle



MODEL 1895™

IMPORTANT: When ordering, list part number, part name, gun gauge/caliber and serial number. Please specify grade. Prices F.O.B. point of shipment — subject to change without notice. Prices effective January 1, 2013.

REF. NO.	PART NO.	DESCRIPTION	MSRP (US\$)
1	*+ U34W77007	BARREL/RECEIVER, .270 WIN	\$676.50
1	*+ U34W77066	BARREL/RECEIVER, .30/06 SPRG	676.50
1	*+ U34W77350	BARREL/RECEIVER, .30/06, HIGH GRADE	1336.00
1	*+ U34W77008	BARREL/RECEIVER, .405 WIN	828.50
1	*+ U34W77009	BARREL/RECEIVER, .405 WIN, HIGH GRADE	1495.00
2	* U34W77014	BREECH BOLT, .30/06 SPRG	198.50
2	* U34W77353	BREECH BOLT, .30/06 SPRG, HIGH GRADE	216.00
2	* U34W77003	BREECH BOLT, .405 WIN	200.75
3	U34W77300	BUFFER	1.00
4	* U3477018	BUTT PLATE	10.50
5	U3477020	BUTT PLATE SCREW	1.00
6	* U34W77025	BUTTSTOCK, GR I	266.25
6	* U34W77002	BUTTSTOCK, GR I, .405 WIN	245.25
6	* U34W77370	BUTTSTOCK, HIGH GRADE	357.00
6	* U34W77011	BUTTSTOCK, HIGH GRADE, .405 WIN	410.25
7	* U3477032	CARRIER	41.00
7	* U34W77005	CARRIER ASSEMBLY, .405 WIN	85.25
8	U3477035	CARRIER CAM LEVER	11.25
9	* U3477038	CARRIER CAM LEVER PIN	1.00
10	* U3477042	CARRIER CRADLE	5.75
11	U3477045	CARRIER CRADLE PIN	1.00
12	U3477052	CARRIER SCREW	4.25
12	* U34W77366	CARRIER SCREW, HIGH GRADE	5.50
13	U3477048	CARRIER SPRING	3.00
14	U3477055	CARRIER STOP PIN	1.25
15	* U3477060	CARTRIDGE STOP	17.25
16	U3477064	CARTRIDGE STOP PIN	1.00
17	U3477112	EJECTOR	13.25
18	U3477115	EJECTOR SPRING	1.00
19	U3477118	EJECTOR STOP PIN	1.00
20	U3477122	EXTRACTOR	19.50
20	U34W77354	EXTRACTOR, HIGH GRADE	20.00
21	U3477126	EXTRACTOR PIN	1.00
22	U3477068	FINGER LEVER	176.50
22	U34W77358	FINGER LEVER, HIGH GRADE	399.75
23	U3477072	FINGER LEVER CATCH	14.25
24	U3477077	FINGER LEVER CATCH PLUNGER	1.50
24A	U3477078	FINGER LEVER CATCH PLUNGER SPRING	1.00
25	U3477082	FINGER LEVER LINK PIN	1.25
26	U3477086	FINGER LEVER LOCK	56.75
26	U34W77361	FINGER LEVER LOCK, HIGH GRADE	104.75
27	U3477090	FINGER LEVER LOCK JOINT PIN	4.25
27	* U34W77363	FINGER LEVER LOCK JOINT PIN, HIGH GRADE	4.25
28	* U34W77362	FINGER LEVER LOCK PLUNGER	1.25
29	* U3477098	FINGER LEVER LOCK PLUNGER SPRING	1.00
30	* U3477012	FINGER LEVER PIN	1.00
31	* U3477105	FINGER LEVER PIN STOP SCREW	2.75
31	* U34W77359	FINGER LEVER PIN STOP SCREW, HIGH GRADE	3.00
32	* U34W77140	FIRING PIN	60.75
32	* U34W77004	FIRING PIN, 405 WIN	64.25
33	* U34W77144	FIRING PIN LOCK	14.50
34	* U34W77152	FIRING PIN LOCK SPRING	1.00
35	* U34W77156	FIRING PIN LOCK SPRING SCREW	2.00

REF. NO.	PART NO.	DESCRIPTION	MSRP (US\$)
36	U3477148	FIRING PIN RECOIL LOCK PIN	\$1.25
37	* U34W77305	FIRING PIN RETURN SPRING	1.00
38	* U34W77307	FIRING PIN STOP PIN	1.00
39	U3477174	FOREARM ESCUTCHEON	2.75
40	* U3477165	FOREARM, GR I	100.50
40	* U34W77001	FOREARM, GR I, 405 WIN	104.50
40	* U34W77352	FOREARM, HIGH GRADE	186.00
40	* U34W77010	FOREARM, HIGH GRADE, 405 WIN	195.00
41	* U3477170	FOREARM STUD	8.75
42	* U3477178	FOREARM STUD SCREW	2.75
43	* U34W77182	HAMMER	46.50
43	* U34W77373	HAMMER, HIGH GRADE	59.00
44	U3477192	HAMMER SCREW	4.25
44	U34W77355	HAMMER SCREW, HIGH GRADE	5.75
45	U34W77310	HAMMER SPRING	2.75
46	* U34W77312	HAMMER SPRING INSERT	2.75
47	* U34W77315	HAMMER STRUT	9.50
48	U34W77317	HAMMER STRUT COLLAR	4.50
49	U34W77320	HOOK	6.75
50	U34W77321	HOOK ENGAGEMENT PIN	2.75
51	U34W77322	HOOK PIN	1.00
52	U34W77323	HOOK SPRING	1.00
53	U3477360	LINK	43.00
53	U34W77364	LINK, HIGH GRADE	44.50
54	* U3477200	LINK PIN	4.25
54	* U34W77360	LINK PIN, HIGH GRADE	4.25
55	* U34W77205	LOCKING BOLT	75.00
56	* U34W77335	LOCKING BOLT ASSEMBLY	84.50
56	* U34W77375	LOCKING BOLT ASSEMBLY, HIGH GRADE	87.50
57	* U34W77340	MAGAZINE ASSEMBLY, 30-06 SPRG	227.75
57	* U34W77376	MAGAZINE ASSEMBLY, 30-06, HIGH GRADE	381.50
57	* U34W77006	MAGAZINE ASSEMBLY, 405 WIN	317.75
57	* U34W77012	MAGAZINE ASSEMBLY, .405 WIN, HIGH GRADE	291.00
58	* U3477230	MAGAZINE TIP SCREW	2.75
58	* U34W77369	MAGAZINE TIP SCREW, HIGH GRADE	3.00
59	+ U34W77325	SAFETY BUTTON	20.50
59	+ U34W77372	SAFETY BUTTON, HIGH GRADE	21.00
60	* U34W77326	SAFETY LEVER	9.50
61	* U34W77327	SAFETY LEVER SCREW	5.50
62	* U34W77328	SAFETY SPRING	1.00
63	U34W77246	SEAR	16.25
64	U3477250	SEAR PIN	1.25
64	U34W77356	SEAR PIN, HIGH GRADE	2.00
65	* U3477258	SEAR SPRING SCREW	2.75
65	* U34W77357	SEAR SPRING SCREW, HIGH GRADE	5.50
66	U34W77330	SEAR SPRING/STRUT SUPPORT	7.25
67	U34W77262	SIGHT BASE, FRONT	12.75
68	U34W77267	SIGHT BEAD, FRONT	1.00
69	U34W77272	SIGHT BLADE, FRONT	11.50
70	* U34W77276	SIGHT BLADE PIN, FRONT	1.25
71	U3477285	SIGHT ELEVATOR, REAR	3.75
71	U34W77000	SIGHT ELEVATOR REAR, 405 WIN	14.25
72	* U34W77280	SIGHT, REAR	50.00

*Indicates part must be fitted by Winchester Repeating Arms Service Department or qualified gunsmith.

**Factory installation only - Return firearm for installation.

+Part may be purchased only by holders of current, valid Federal Firearms License.

NOTE: Unless otherwise indicated, part is interchangeable between gauges/calibers.

Lever-Action Rifle



MODEL 1895™

IMPORTANT: When ordering, list part number, part name, gun gauge/caliber and serial number.
Please specify grade. Prices F.O.B. point of shipment — subject to change without notice. Prices effective January 1, 2013.

REF. NO.	PART NO.	DESCRIPTION	MSRP (US\$)
72	* U34W77351	SIGHT, REAR, HIGH GRADE	\$53.25
73	* U34W77295	TRIGGER	43.25
73	* U34W77374	TRIGGER, HIGH GRADE	43.25

REF. NO.	PART NO.	DESCRIPTION	MSRP (US\$)
74	U3477298	TRIGGER PIN	\$1.00
75	U3477290	UPPER TANG SCREW	5.25
75	U34W77371	UPPER TANG SCREW, HIGH GRADE	8.00

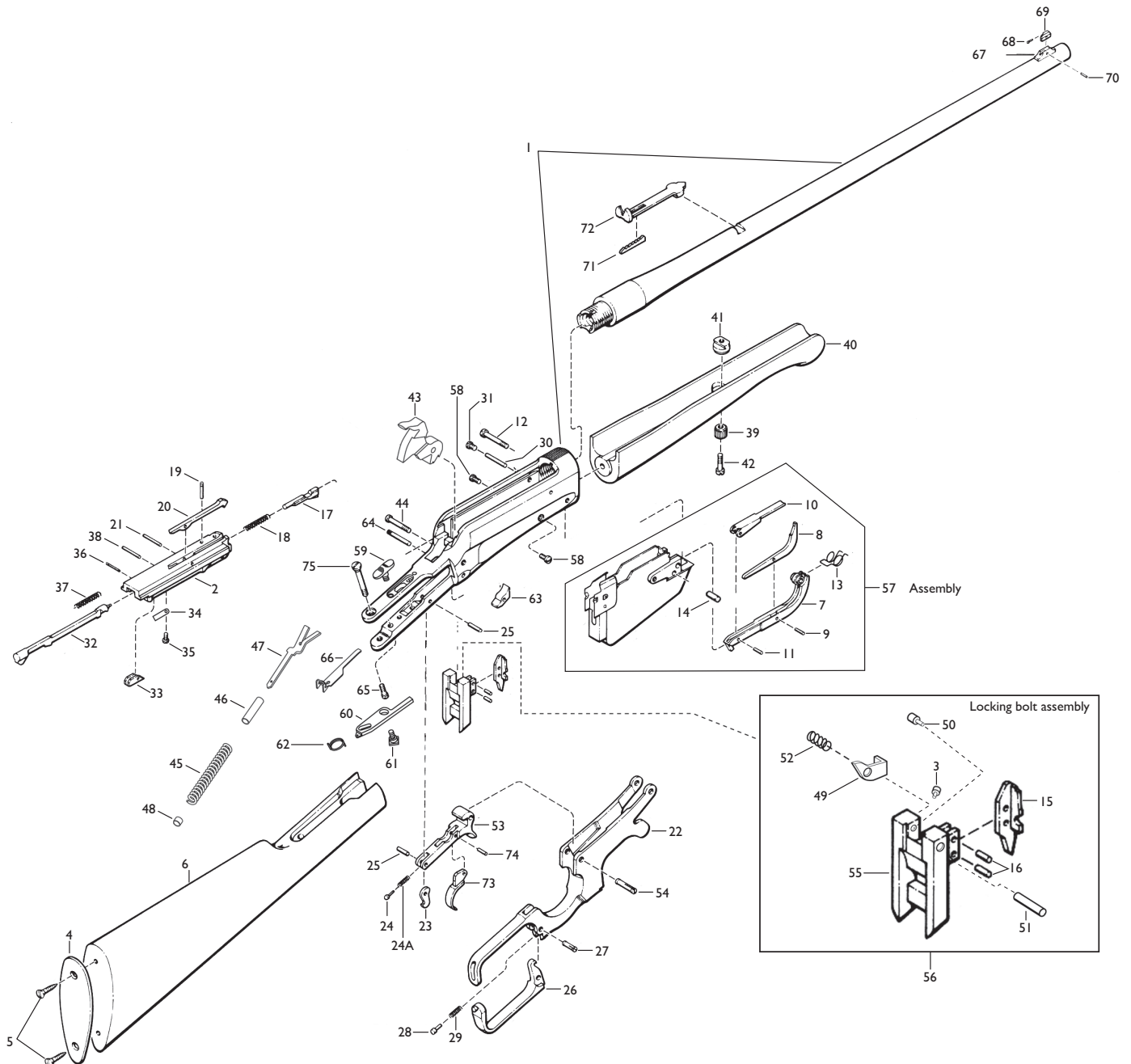
*Indicates part must be fitted by Winchester Repeating Arms Service Department or qualified gunsmith.
 **Factory installation only - Return firearm for installation.
 +Part may be purchased only by holders of current, valid Federal Firearms License.
 NOTE: Unless otherwise indicated, part is interchangeable between gauges/calibers.

Lever-Action Rifle



MODEL 1895™

NOTE: WHEN ORDERING PARTS USE THE PART NUMBER AND NOT THE SCHEMATIC REFERENCE NUMBER.



Schematic is provided for parts identification only and should not be used as a guide to assemble guns. CAUTION: Winchester parts are not recommended for use in other guns though models may be similar. Inadequately fitted parts may be dangerous.